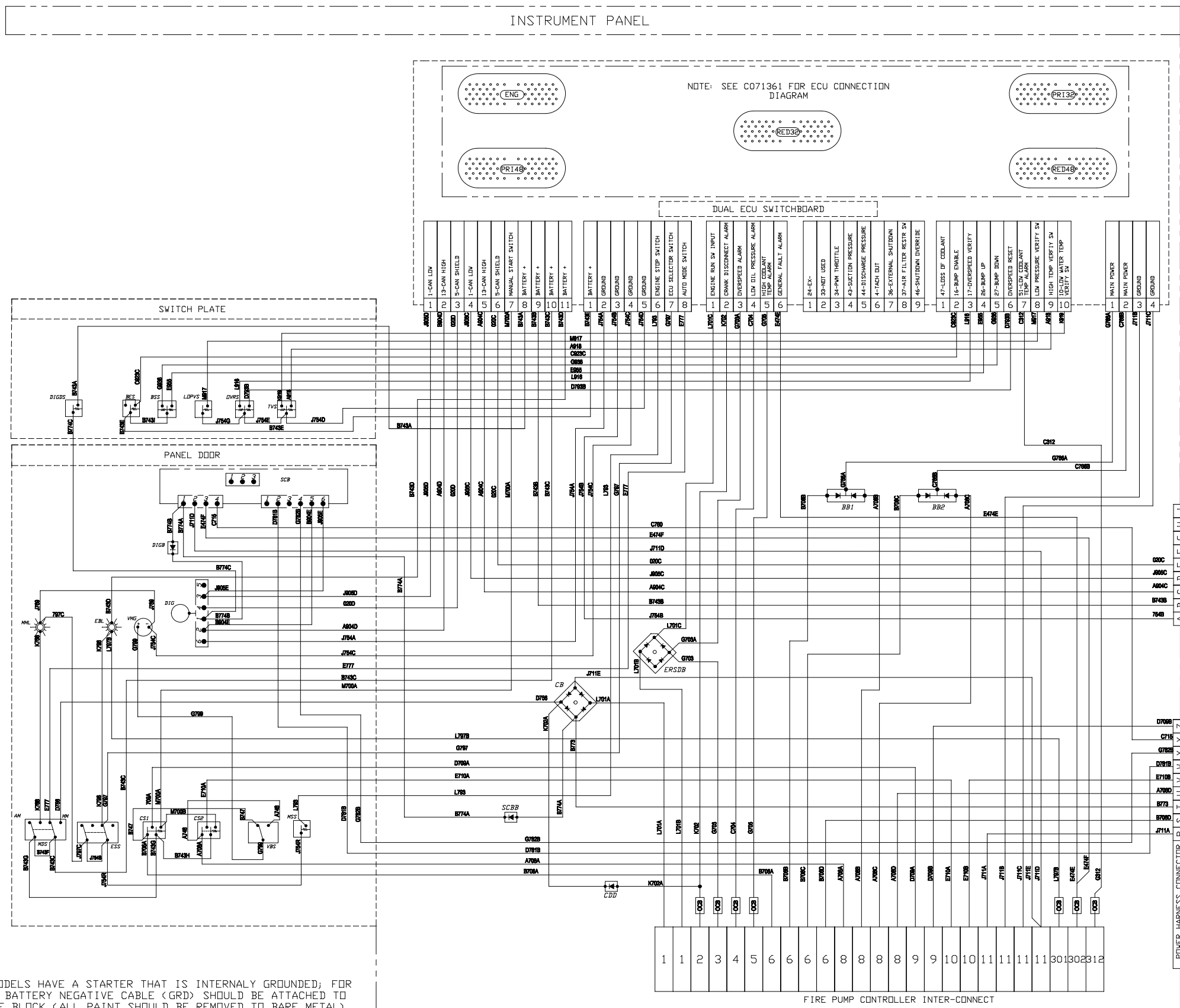


8 7 6 5 4 3

REV	DESCRIPTION	ECN#	DWN	APVD	DATE
H	SCBB WAS A DIODE BRIDGE, ADDED INLINE DIODE TO 774A. ADDED WIRES 701C AND 703A. DELETED WIRE 774. ADDED SPLICE JUNCTION TO WIRE 703.	2121	MJD	MJD	17DEC10
J	ADDED WIRE 702A AND CDD.	2121	MJD	MJD	02MAY11
K	AVS BECAME TVS. ADDED LOPVS. ADDED WIRE 754F TO OVR5 & LOPVS. MOVED WIRE 917 FROM AVS TO LOPVS. ADDED WIRE 919 TO TVS AND PIN 10 OF 10 PIN CONNECTOR. ADDED WIRE 312.	2134	MJD	MJD	05AUG11

H G F E D C B A

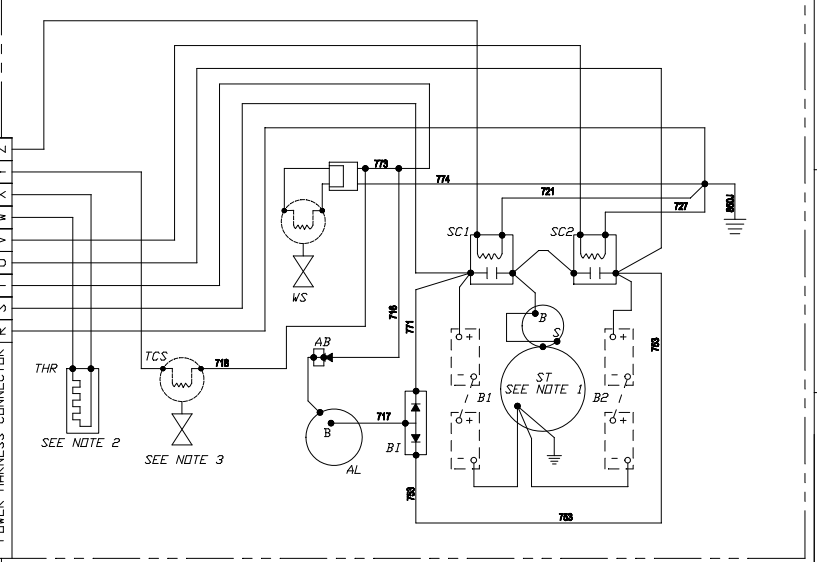
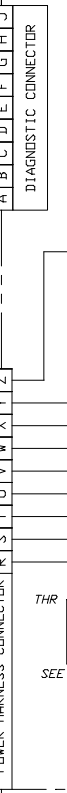
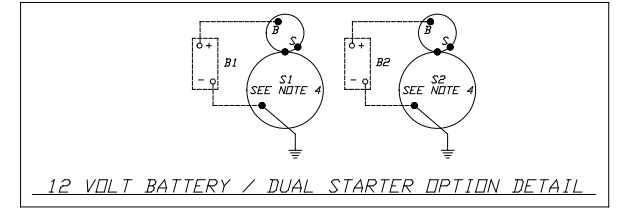


**LEGEND**

AB - ALTERNATOR BRIDGE	LOPVS - LOW OIL PRESSURE VERIFY SWITCH
AL - ALTERNATOR	MDS - MODE SELECTOR SWITCH
AM - AUTOMATIC MODE POSITION	MM - MANUAL MODE POSITION
B1 - BATTERY #1	MML - MANUAL MODE INDICATING LAMP
B2 - BATTERY #2	MP - MAGNETIC PICK-UP
BB1 - BATTERY BRIDGE #1	MSS - MANUAL STOP SWITCH
BB2 - BATTERY BRIDGE #2	DCB - OVER-CURRENT BREAKER
BES - BUMP ENABLE SWITCH	OVR5 - OVERSPEED VERIFY @ 67% / RESET SWITCH
BSS - SPEED BUMP SWITCH	BSS - SPEED BUMP SWITCH
B1 - BATTERY ISOLATOR	SC1 - STARTER CONTACTOR BATT#1
CS1 - CRANK (MANUAL) SWITCH - BATT#1	SC2 - STARTER CONTACTOR BATT#2
CS2 - CRANK (MANUAL) SWITCH - BATT#2	SCB - SOLENOID CONTROL BOARD
CB - COOLANT BRIDGE	SCBB - SOLENOID CONTROL BOARD DIODE
CDD - CRANK DISCONNECT DIODE	ST - STARTER
DIA - DIAGNOSTIC GAUGE	TCS - TEMPERATURE CONTROL SOLENOID
DIGB - DIAGNOSTIC GAUGE DIODE BRIDGE	THR - SCB THERMISTOR (COMPRESSOR INLET)
DIGDS - DIAGNOSTIC GAUGE DISPLAY SWITCH	TVS - TEMPERATURE ALARM VERIFY SWITCH
EBL - ALTERNATE ECU INDICATING LAMP	VBS - BATTERY VOLTAGE SELECTOR
ERSDB - ENGINE RUN SIGNAL DIODE BRIDGE	VMG - VOLTMETER GAUGE
ESS - ECU SELECTOR SWITCH	WS - WATER SOLENOID VALVE
	WT - WATER TEMPERATURE N.D. SW 205°F

**COLOR CODE**

A - WHITE	G - BLUE
B - RED	I - PINK
C - ORANGE	J - BLACK
D - YELLOW	K - BROWN
E - GREEN	L - GRAY
F - GREEN	M - PURPLE
G - BLUE	



**NOTES:**

1) SOME MODELS HAVE A STARTER THAT IS INTERNALLY GROUNDED; FOR THOSE THE BATTERY NEGATIVE CABLE (GRD) SHOULD BE ATTACHED TO THE ENGINE BLOCK (ALL PAINT SHOULD BE REMOVED TO BARE METAL)

2) ONLY ON 4045 PTE ENGINES

3) NOT ON 6090 PTE ENGINES

4) SOME MODELS HAVE A STARTER THAT IS INTERNALLY GROUNDED; FOR THOSE THE BATTERY NEGATIVE CABLE (GND) SHOULD BE ATTACHED TO THE ENGINE BLOCK (ALL PAINT SHOULD BE REMOVED TO BARE METAL)

FOR ENGINES BUILT AFTER OCTOBER, 2011

THIS DRAWING AND THE INFORMATION HEREIN ARE OUR PROPERTY AND MAY BE USED BY OTHERS ONLY AS AUTHORIZED BY US. UNPUBLISHED--ALL RIGHTS RESERVED UNDER THE COPYRIGHT LAWS.

**CLARKE**  
Fire Protection Products, Inc.

DRWN: MUEDEMBKOWSKI  
DATE: 01APR09  
ENGR: KJKUNKLER

WIRING DIAGRAM, TIER 3 ELECTRONIC ENGINES

PART NO: C071360

SCALE: NTS

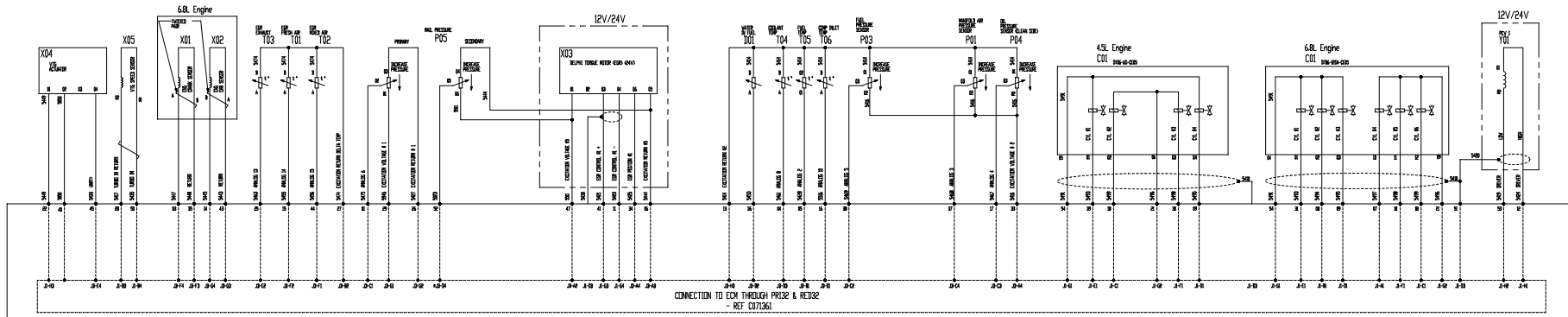
UNITS: MM [INCH]

PAGE 1 OF 1

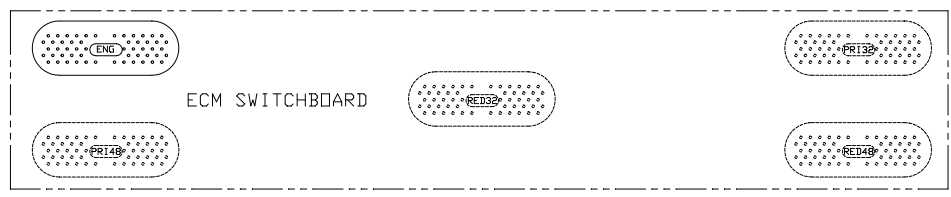
8 7 6 5 4 3



REV	DESCRIPTION	ECN#	DWN	APVD	DATE
A	ISSUED DRAWING	572	KJK		02NDV08
B	(*) PIN-DUT WAS J3-E1 (ZDNE E-6)	1612	MJD		19MAR09



ENG - SWITCHBOARD CONNECTION - 6068PTP



REFERENCE DEERE WIRING DIAGRAM

THIS DRAWING AND THE INFORMATION HEREON ARE THE PROPERTY AND MAY BE USED AS AUTHORIZED BY DEERE & COMPANY UNPUBLISHED - ALL RIGHTS RESERVED UNDER THE COPYRIGHT LAWS		DISTRIBUTION: ERIC SCHMIDKE, 2007-11-27, JDS-G113		SCALE: METRIC DRAWING SCALE	
MODEL REV	MODEL REV	MATERIAL	DRAWING	DRAWING	DATE
Changing	A.5	DRAWING	DRAWING		
DRW REV	DRW REV				
Changing	A.5				
SOURCING	OPEN	X			
	CLOSED				

VERSION	PART NUMBER	REVISION
RG	RE537589	A

**CLARKE**  
Fire Protection Products, Inc.

CONTROLLED DRAWING

DATE	NAME	SCALE
DDMMYY		
ENGR	ENGINEER	
MATERIAL		
USED IN / LAYOUT PART NO.	SCALE	UNITS
	NTS	MM [ INCH ]

NAME	WIRING DIAGRAM, 6068PTP TIER 3 ENG CONNECTION
PART NO.	C071368
REV	B

THIS DRAWING AND THE INFORMATION HEREON ARE THE PROPERTY AND MAY BE USED AS AUTHORIZED BY DEERE & COMPANY UNPUBLISHED - ALL RIGHTS RESERVED UNDER THE COPYRIGHT LAWS.

UNLESS OTHERWISE SPECIFIED TO OTHERWISE INDICATED:  
 DECIMAL: 1/16 IN  
 FRACTIONAL: 1/32 IN  
 ANGULAR: ±1/2°  
 SIMILAR TO: 1/8"

PAGE 1 OF 1